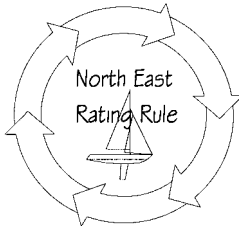


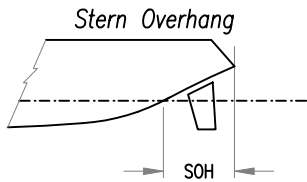
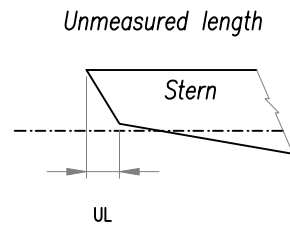
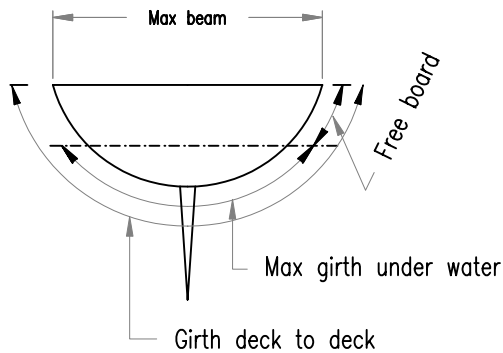
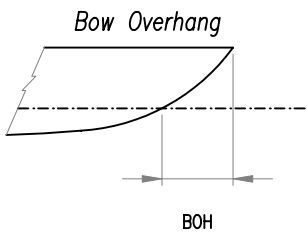
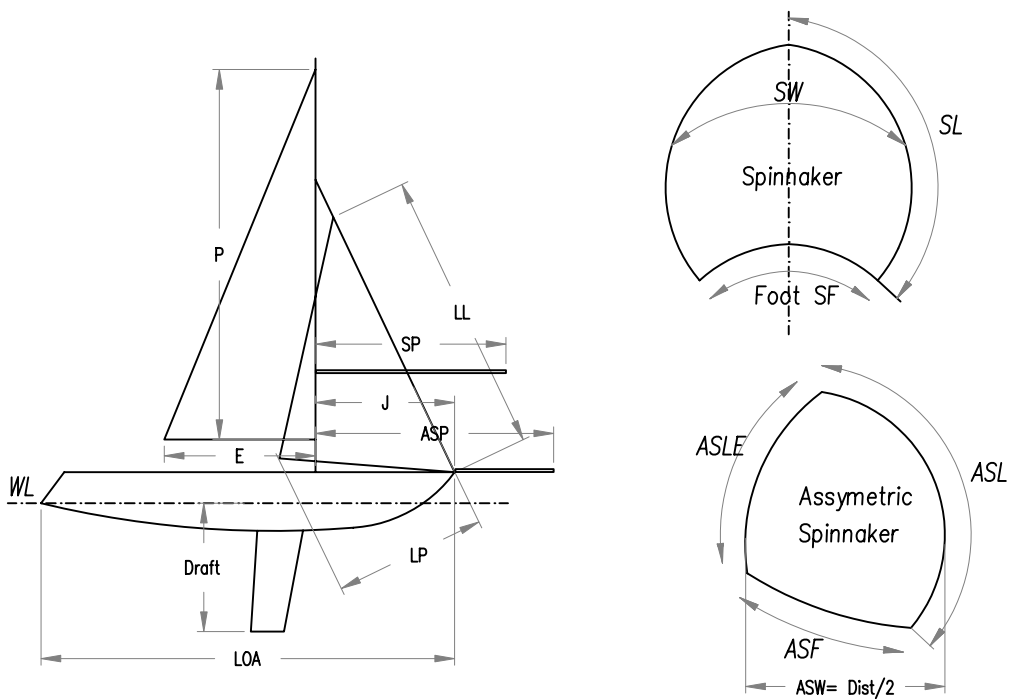
# NORTH EAST RATING RULE MEASUREMENT DATA

Owner: \_\_\_\_\_

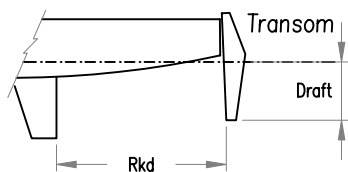
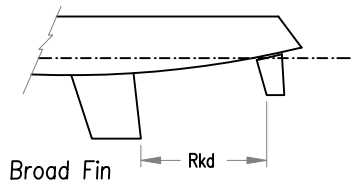
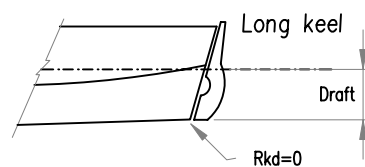
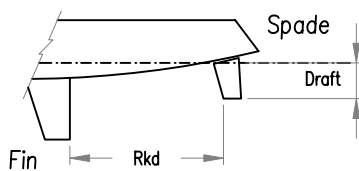
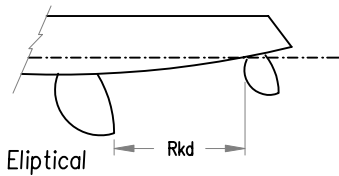
Yacht Name: \_\_\_\_\_

Yacht Type:	Sail No.:	Owner Info:	Checked on site																												
<b>SAIL PLAN:</b> 		<table style="width: 100%; border-collapse: collapse;"> <tr><td>P - Mainsail Luff</td><td>mm</td><td></td><td></td></tr> <tr><td>E - Mainsail Foot</td><td>mm</td><td></td><td></td></tr> <tr><td>PM - Mizzen Luff</td><td>mm</td><td></td><td></td></tr> <tr><td>EM - Mizzen Foot</td><td>mm</td><td></td><td></td></tr> <tr><td>LL - Foresail Luff</td><td>mm</td><td></td><td></td></tr> <tr><td>J - Foretriangle base</td><td>mm</td><td></td><td></td></tr> <tr><td>LP - Largest Genoa LP</td><td>mm</td><td></td><td></td></tr> </table>		P - Mainsail Luff	mm			E - Mainsail Foot	mm			PM - Mizzen Luff	mm			EM - Mizzen Foot	mm			LL - Foresail Luff	mm			J - Foretriangle base	mm			LP - Largest Genoa LP	mm		
P - Mainsail Luff	mm																														
E - Mainsail Foot	mm																														
PM - Mizzen Luff	mm																														
EM - Mizzen Foot	mm																														
LL - Foresail Luff	mm																														
J - Foretriangle base	mm																														
LP - Largest Genoa LP	mm																														
Sail Material:		Main:	Fore:																												
Type of reefing:		Main:	Fore:																												
No of full Battens in Sail		Main:	Fore:																												
SW - Spinnaker Max Width	mm																														
SL - Spinnaker Luff	mm																														
SF - Spinnaker Foot	mm																														
SP - Spinnaker pole	mm																														
ASW - Assymetric Half width	mm																														
ASL - Assymetric Luff	mm																														
ASF - Assymetric Foot	mm																														
ASLE - Assymetric Leech	mm																														
ASP - Assy Pole extended	mm																														
<b>HULL:</b>																															
LOA	Length overall	mm																													
BOH	Bow Overhang	mm																													
SOH	Stern overhang	mm																													
UML	Unmeasured Length	mm																													
IHT	Inner Height Stern	mm																													
OHT	Outer height Stern	mm																													
STW	Stern Width	mm	Measurer only																												
Note Position on Hull for freeboard data		GDD	Girth, deck to deck																												
		FB	Freeboard																												
		G	Net Girth																												
		BM	Max Beam																												
		D	Draft																												
		WT	Sailing Displacement																												
		WBAL	Water Ballast																												
		KGS																													
			WT Cert																												
<b>MAST:</b>																															
Type:	Uniform <input type="checkbox"/>	Tapered <input type="checkbox"/>	No. Spreaders <input type="checkbox"/>																												
Material:	Aluminium <input type="checkbox"/>	Wood <input type="checkbox"/>	Carbon Fibre <input type="checkbox"/>																												
Rigging:	Jumpers <input type="checkbox"/>	Runners <input type="checkbox"/>	Adjustable Baby Stay <input type="checkbox"/>																												
			Multiple masts <input type="checkbox"/>																												
			Gaff Rig <input type="checkbox"/>																												
			Check Stays <input type="checkbox"/>																												
<b>Keel Configuration: Tick Box</b>		<b>Rudder Configuration: Tick Box</b>																													
Tandem <input type="checkbox"/>	Keel Mat'l and Shape:	Twin Rudders <input type="checkbox"/>	Engine & Propellers: Tick box																												
Fin or Pencil keel <input type="checkbox"/>	Iron <input type="checkbox"/>	Spade <input type="checkbox"/>	No engine/Outboard <input type="checkbox"/>																												
Fin and half Skeg <input type="checkbox"/>	Composite <input type="checkbox"/>	Transom Hung <input type="checkbox"/>	Folding propellor & 'P' Bracket <input type="checkbox"/>																												
Long Keel <input type="checkbox"/>	Lead <input type="checkbox"/>	Long Keel Hung <input type="checkbox"/>	Folding propellor on 'Z' Drive <input type="checkbox"/>																												
Bilge Keel only <input type="checkbox"/>	Wood or plastic <input type="checkbox"/>	Rudder Draft <input type="checkbox"/>	Two bladed fixed on Centre <input type="checkbox"/>																												
Bilge Keel + stub <input type="checkbox"/>	Trapezoidal shape <input type="checkbox"/>	Trapezoidal shape <input type="checkbox"/>	Two bladed fixed Offset <input type="checkbox"/>																												
Centre or Dagger Board <input type="checkbox"/>	Elliptical shape <input type="checkbox"/>	Elliptical shape <input type="checkbox"/>	Three Bladed fixed on Centre <input type="checkbox"/>																												
Canting keel <input type="checkbox"/>	Rudder Draft <input type="text" value=""/>		Three Bladed Fixed Offset <input type="checkbox"/>																												
Wing <input type="checkbox"/>	Dist of rudder from rear of keel: <input type="text" value=""/>		Outboard Well <input type="checkbox"/>																												
			Any Moveable appendage. <input type="checkbox"/>																												
<b>Keel Centre of Gravity :</b>																															
Penalty Low	<input type="checkbox"/>	Low	<input type="checkbox"/>																												
Medium	<input type="checkbox"/>	High	<input type="checkbox"/>																												
Any Unusual Features:		Launch Date: <input type="text" value=""/>																													
Measurer:		Date:																													

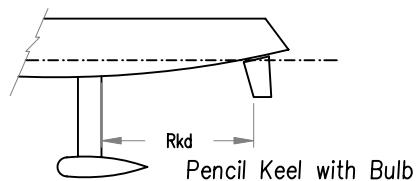
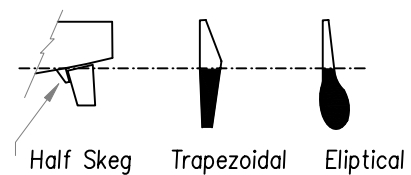
MEASUREMENT DIAGRAMS & DESCRIPTIONS



KEEL & RUDDER TYPES



RUDDER STYLES



There will be other variations – CONSULT YOUR MEASURER.